

SpanSet[®]

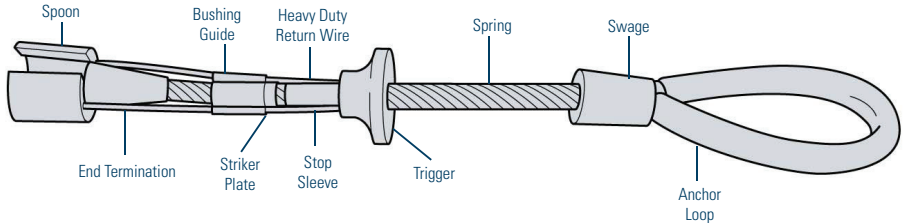


**SPANANCHOR 20
SYSTEM**

**SpanSet
Certified
Safety**

SPANANCHOR 20 SYSTEM

Specification



WARNING

- Do not use incompatible connectors with a spananchor 20. Only connect equipment to the device using **EN362 CONNECTORS**, subject to their individual instructions.
- Spananchor 20 connectors are to be used in concrete substrate only. Do not use in steel, wood or any other substrate.
- All persons using this equipment must read and understand all instructions. Failure to do so may result in serious injury or death. If a fall occurs, the anchor must be disposed of according to the manufacturer instruction. Users should be familiar with pertinent regulations governing this equipment. All individuals who use this product must be correctly instructed on how to use this device.

Test Standard:	EN795:Class A1
Test House:	The SpanAnchor is individually CE marked to BS EN 795:1996 Class A1.
Certified by approved body:	SGS UK, Ellesmere Port, Cheshire, CH65 3EN.
Identification No:	0120.
Quality Control:	The BSI (Identification No:0086) covers SpanSet's Article 11A certification
Safe Working Load:	149kg (22kN MBS)

MATERIALS AND CONSTRUCTION

COMPONENT	MATERIALS
Main Cable	7x19 Aircraft Cable
End Terminations	304 Stainless Steel
Spoons	PH17-4 Stainless Steel
Bushing Guide	304 Stainless Steel
Stop Sleeve	304 Stainless Steel
Trigger	6061 T-6 Aluminium
Spring	Zinc Coated Spring Steel
Swage	Zinc Coated Copper
Return Wire	1x19 Aircraft Cable
Plastics	Polyurethane

SPANANCHOR 20 SYSTEM

Specification Instructions for Use

The SPANANCHOR 20 is a PPE anchor, to be used by qualified fall protection personnel only. It is to be anchored in accordance with the instructions provided in concrete substrate only. Do not use in uncured/wet concrete. Do not use this anchor in any other anchoring situation. Concrete substrate must have a compressive strength of at least 20.7Mpa (3000PSI).

We recommend that users read the following documents to assist themselves:

BS 7883:2005 Code of practice for the design, selection, installation, use and maintenance of anchor devices conforming to BSEN795.

BS 8437:2005 Code of practice for the selection, use and maintenance of personal fall protection systems and equipment for use in the workplace.

The device is supplied in Europe by SpanSet Ltd, Telford Way, Middlewich, CW10 0HX. The units are fabricated in America.

INSTRUCTIONS FOR USE

1. Drill a 19mm (3/4 inch) diameter hole at least 75mm deep (3 inches).
 2. Drill hole straight into substrate.
 3. Blow the hole clean with compressed air.
 4. When using previously drilled holes, always inspect the condition of the hole carefully.
 5. The bored hole must be uniform in diameter and free from peaks or valleys on the inner surface. Only use quality industrial grade rotary hammer drills and drill bits.
 6. Insert the anchor fully 75mm (3 inches) into the hole (Fig 1).
 7. Set the anchor with a slight tug on the anchor loop.
- NOTE:** The STOP SLEEVE must always be partially inserted into the hole (Fig 2).
8. Inspect the anchor prior to use each time it is used. Any sign of damage must render the anchor un-useable.
 9. Remove the anchor after use and never leave inserted over night.
 10. Never drill a hole closer than 155mm (6 inches) from any edge or corner*

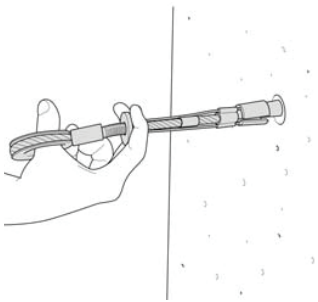


Figure 1

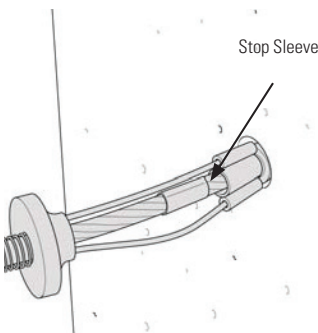


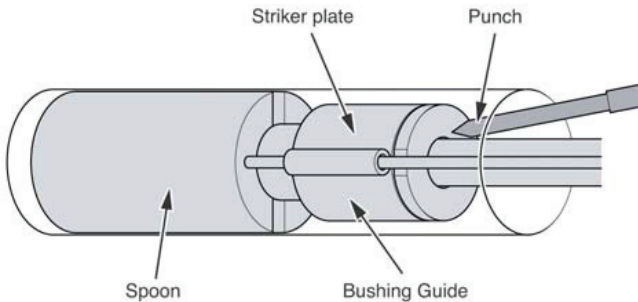
Figure 2

* NOTES:

- If a hole is to be drilled 155mm (6 inches) from an edge or corner the concrete substrate must be 310mm (12 inches) thick and 310mm (12 inches) wide e.g. 12" x 12" column.
- If a hole is to be drilled 205mm (8 inches) from an edge or corner the concrete substrate must be 255mm (10 inches) thick and 410mm (16 inches) wide. e.g. 10" x 16" column.
- If a hole is to be drilled 255mm (10 inches) from an edge or corner the concrete substrate must be 205mm (8 inches) thick and 510mm (20 inches) wide. e.g. 8" x 20" column.
- If a hole is 310mm (12 inches) or more from any edge or corner the substrate must be 130mm (5 inches) thick.

SPANANCHOR 20 SYSTEM

Removal of the Anchor



REMOVAL OF THE ANCHOR

Using a suitable sized punch and hammer, strike the striker plate to drive the wedge back into the hole (Fig 3). It should only take one or two strikes to release. Do not use excessive force as this may damage the striker plate or wires.

IMPORTANT NOTICE; SPECIFIC TRAINING IS ESSENTIAL BEFORE USE

This device must only be used by competent persons, or those placed under direct supervision and control of a competent person. This notice illustrates the only correct way of using this device. Some types of misuse may be illustrated by crossed out diagrams, and only those not crossed out are authorised. All other uses are excluded due to danger of death. Activities at height are dangerous with inherent risk of injury or death. Gaining adequate training in appropriate techniques and safe methods is YOUR own responsibility.

You personally assume all risks and responsibilities for all damage, injury, or death that may occur during or following wrong use of this equipment in any manner. You must ensure that this product is compatible with the other components of your system.

WARNINGS

1. Persons using this product should be trained/competent in its use, or be under the supervision of a trained/competent person.
2. Installers must ensure the suitability of base materials into which structural anchor devices are fixed. Ensure the section of material you have used is structurally sound.
3. Regularly check connectors during use.
4. Be aware of all medical conditions that could affect the safety of the user in normal and emergency use.
5. A rescue plan should be in place to deal with any emergencies that may arise during work.
6. No alterations, additions or repairs should be made to this equipment without the written consent of SpanSet.
7. The equipment shall not be used outside its limitations, or for any other purpose than that it is intended for.
8. The safe function of one item of equipment may interfere with the safe function of another with certain combinations of equipment. Always ensure that the instructions for the safe use of other items of PPE are complied with.
9. If in any doubt about the use or care of SpanSet equipment, please contact SpanSet.

SPANANCHOR 20 SYSTEM

General Inspections and Examination

GENERAL INSPECTION AND EXAMINATION

Keep these instructions or a copy with the SPANANCHOR SYSTEM to aid future inspection, and examination.

The equipment must be given a function, visual and tactile inspection when delivered to site/works, and before every use. Do not hesitate to dispose of a product showing wear detrimental to the strength of the device.

SpanSet recommends recorded inspection by a competent person for periodic examination authorised by SpanSet every 6 months. The examination guidelines in these instructions must be adhered to. The law states that recorded inspection must take place every 12 months.

Particular attention should be paid to the following:

Metal-ware

- Inspect for signs of damage/distortion/corrosion/excessive wear, correct operation of Pull and spring, and function.

Cable

- Inspect for signs of fraying and kinking.

All Personal Protective Equipment should be immediately removed from service after being subjected to any shock load, fall, or if there is any doubt about its condition. The equipment shall not be used again until a competent person has confirmed in writing that it is acceptable to do so.

1. WASH in clean water if dirty (Pull will be stiff/noisy if dirt is present). After washing, allow to dry in open air.
2. After drying, spray with a light lubricant or silicone spray to inhibit corrosion.
3. Pay attention to the legibility of product markings.

All equipment should be used, stored and transported in the following manner:

- To prevent contact with sharp or abrasive objects.
- Away from extreme heat.
- Away from harmful substances (chemicals, acids, alkalis etc).
- Kept in a cool, dry place free from direct sunlight, to avoid the degrading effects of ultra-violet light.

WHILST REGULAR INSPECTION AND CARE OF YOUR EQUIPMENT IS MANDATORY BY EUROPEAN LAW, SPANSET RECOMMENDS THAT WITH REGULAR USE ALL PRODUCTS SHOULD BE DESTROYED AFTER 5 YEARS FROM DATE OF FIRST USE. THE PRODUCT HAS AN ULTIMATE LIFE SPAN OF 10 YEARS FROM DATE OF MANUFACTURE, EVEN IF NEVER USED. THE PRODUCT INSTRUCTION SHEET MUST BE UNDERSTOOD FOR EACH COMPONENT OF YOUR SYSTEM TO ENSURE THEIR COMPATIBILITY.

REPAIRS

THERE ARE NO REPAIR SERVICES OFFERED ON THIS ITEM BY SPANSET LTD. IF THERE IS A MANUFACTURING FAULT WITH YOUR EQUIPMENT, PLEASE CONTACT SPANSET.

SPANANCHOR 20 SYSTEM

SpanSet Products & Training Product Lifespan

SPANSET PRODUCTS & TRAINING

SpanSet can supply other items of equipment that are compatible with this product. These include: EN361 fall-arrest harnesses, a variety of EN362 connectors, work positioning belts, and adjustable safety lines.

SpanSet also produces/supplies rope access equipment, sit harnesses, slings, safety lines, fall-arrest lanyards, confined space equipment, rescue kits, inertia blocks and safety lines.

SPANSET OFFERS TRAINING EITHER ON SITE OR AT OUR OWN PREMISES, IN ALL ASPECTS OF HEIGHT SAFETY. COURSES ARE ACCREDITED UNDER OUR REGISTRATION TO ISO 9001, AND CERTIFICATES ARE ISSUED ON SUCCESSFUL COMPLETION. PLEASE CONTACT US FOR FURTHER DETAILS.

SpanSet Ltd, Telford Way, Middlewich, Cheshire, CW10 0HX

Tel: +44 (0) 1606 737494 Fax: +44 (0) 1606 737264

www.spanset.co.uk

PRODUCT LIFESPAN

It is mandatory by European Law that all PPE must be supplied with comprehensive User Instructions which detail the lifespan of the product, and the inspection requirements.

The actual frequency of the periodic inspection is the responsibility of the competent person in charge of the maintenance of the product. Aggressive or arduous conditions and constant use will potentially reduce the working life of the product and so a more frequent inspection regime will be required to effectively monitor this.

SpanSet recommend that PPE for Work at Height is thoroughly examined by a competent person:

- Periodically at intervals not exceeding 6 months
- Interim inspections where required

SpanSet recommend that Pre Use inspection is carried out by the user before each and every use. Any concerns about the condition of equipment must result in the item undergoing a thorough interim inspection.

The equipment should only be used if it is found to be in a fit condition.

In addition SpanSet give this product a period of obsolescence of 10 years from date of manufacture, even if never used.

Products should be withdrawn from service if they meet any one of the following criteria:

- 1) Failure of a thorough examination
- 2) Subjected to or Used to arrest a fall
- 3) Manufacturers period of obsolescence (shelf-life) has been reached

Compatibility and use of PPE is the responsibility of the user.

01 Height Safety

SPANANCHOR 20 SYSTEM
